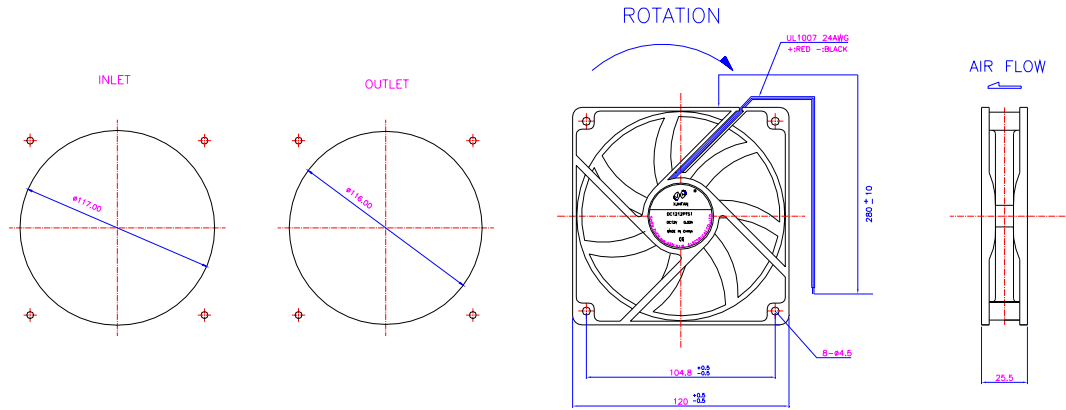


120 × 120 × 25 mm

XJHFAN

Bearing Type: Ball/Sleeve bearing

Air Flow: 60~85CFM



编号 Model	电压 Rating Voltage(VDC)	电流 Power Current ( AMP )	功率 Power Consumption ( WATTS )	轴承 Bearing Ball Sleeve	转速 Speed ( RPM )	风量 Air Flow ( CFM )	风压 Static Pressure ( Inch-H <sub>2</sub> O )	噪声 Noise ( dBA )
DC1212PTS1	12	0.33	4.0	S	2200	83	0.25	40
DC1212PTS2	12	0.24	2.8	S	1800	70	0.20	36
DC1212PTS3	12	0.14	1.6	S	1500	60	0.17	30
DC1212PTB1	12	0.33	4.0	S	2250	85	0.26	42
DC1212PTB2	12	0.24	2.8	S	1850	72	0.21	37
DC1212PTB3	12	0.14	1.6	S	1600	65	0.19	32
DC2412PTS1	24	0.20	4.8	S	2200	83	0.25	40
DC2412PTS2	24	0.12	2.8	S	1800	70	0.20	36
DC2412PTS3	24	0.07	1.6	S	1500	60	0.17	30
DC2412PTB1	24	0.20	4.8	B	2250	85	0.26	42
DC2412PTB2	24	0.12	2.8	B	1850	72	0.21	37
DC2412PTB3	24	0.07	1.6	B	1600	65	0.19	32

