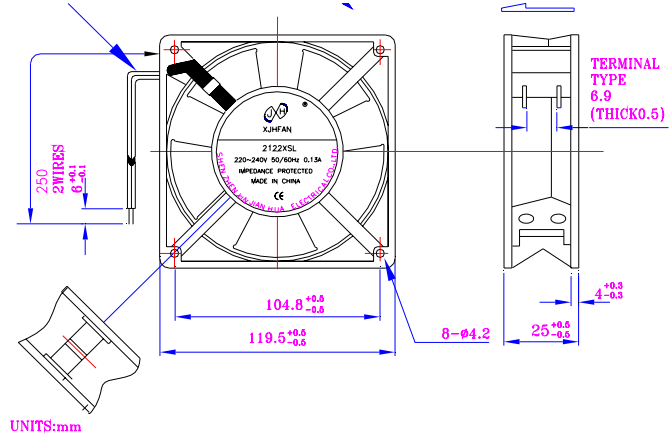
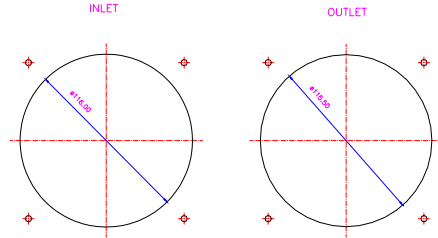


120 × 120 × 25 mm

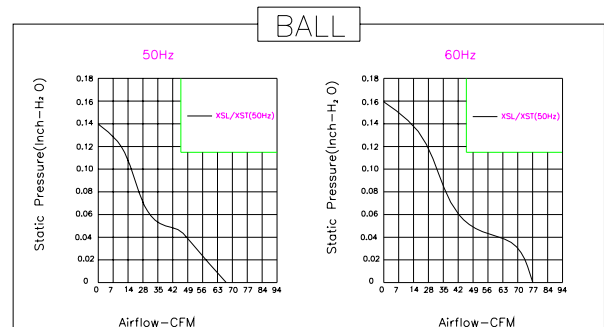
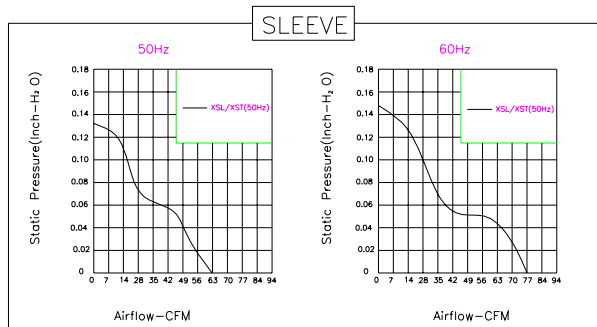
XJHFAN

Bearing Type: Ball/Sleeve bearing

Air Flow: 43~68CFM



规格型号 P/N	电压 Rating Voltage(VAC)	频率 Frequency (Hz)	电流 Power Current (AMP)	功率 Power Consumption (WATTS)	轴承 Bearing Ball Sleeve	转速 Speed (RPM)	风量 Air Flow (CFM)	风压 Static Pressure (Inch-H ₂ O)	噪声 Noise (dBA)
1122XSL (T)	115	50/60	0.13/0.12	16/14	S	2300/2500	60/65	0.13/0.15	44/46
1122XBL (T)	115	50/60	0.13/0.12	16/14	B	2350/2550	62/68	0.14/0.16	43/48
2122XSL (T)	220/240	50/60	0.13/0.12	16/14	S	2100/2300	60/65	0.13/0.15	43/48
2122XBL (T)	220/240	50/60	0.13/0.12	16/14	B	2150/2350	62/68	0.14/0.15	43/48



SHENZHEN XINJIANHUA ELECTRICAL CO., LTD.

AC Series