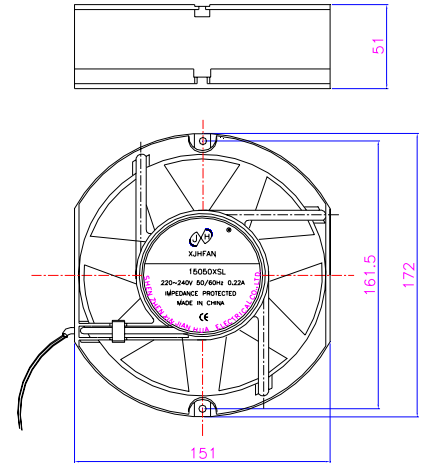
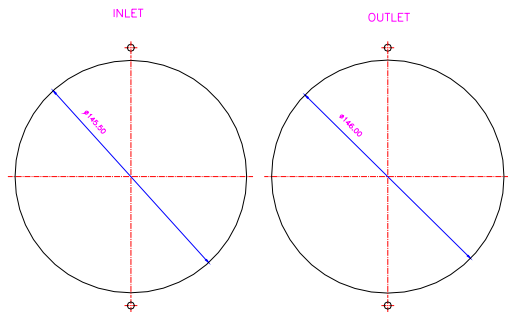


172 × 151 × 51 mm

XJHFAN

Bearing Type: Ball/Sleeve bearing

Air Flow: 145~180CFM



规格型号 P/N	电压 Rating Voltage(VAC)	频率 Frequency (Hz)	电流 Power Current (AMP)	功率 Power Consumption (WATTS)	轴承 Bearing Ball Sleeve	转速 Speed (RPM)	风量 Air Flow (CFM)	风压 Static Pressure (Inch-H <sub>2</sub> O)	噪声 Noise (dBA)
15050XBL ( T )	115	50/60	0.40/0.45	49/45	B	2650/2950	150/180	0.38/0.48	55/60
15050XSL ( T )	115	50/60	0.40/0.45	49/45	S	2600/2700	145/170	0.35/0.45	53/58
15050XBL ( T )	220/240	50/60	0.22/0.21	37/35	B	2600/2800	145/160	0.33/0.43	52/57
15050XSL ( T )	220/240	50/60	0.22/0.21	37/35	S	2600/2700	145/170	0.35/0.45	53/58
15050XBL ( T )	380	50	0.15	40	B	2600	145	0.35	55
15050XSL ( T )	380	50	0.15	40	S	2550	140	0.33	52

